

## 2 channel Omni-Directional Lavalier Microphone



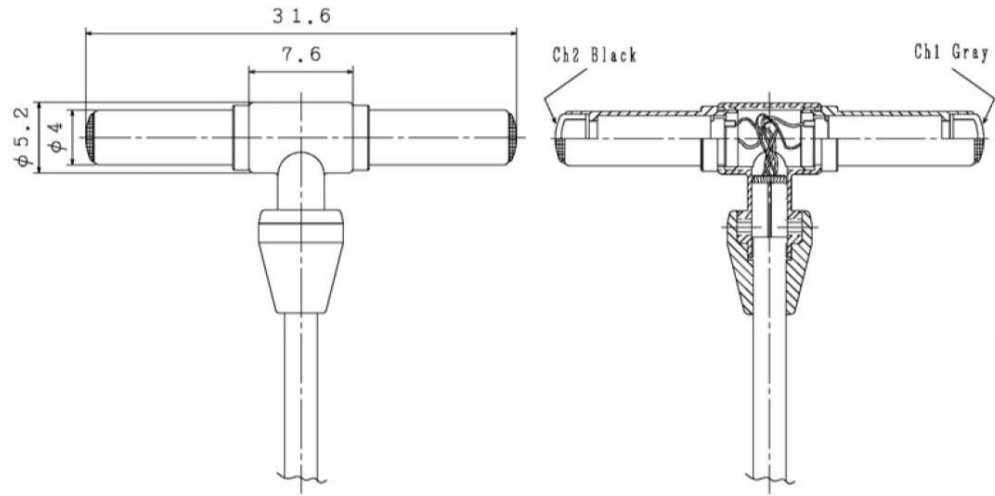
- 2ch lavalier microphone
- Second ch can be a back up mic
- For ambient stereo recording
- Background noise cancel microphone with 1ch phase reverse

The Sanken COS-22 is the world's first 2ch lavalier microphone. In the tradition of the popular Sanken COS-11 lavalier series, the ultra miniature COS-22 measures only 31.6mm (1.25") in length but boasts a full frequency response up to 20,000 Hz. The two-channel, dual-omnidirectional COS-22 is designed for a variety of applications, including high quality unobtrusive area miking, stereo recording of music and environmental ambience, redundant capsule live broadcast (e.g. news anchors), and boundary-style miking for film and television. In addition, the COS-22 can be used as a noise cancellation directional microphone pair by reversing the phase of one channel before summing the two outputs.

<Specifications>

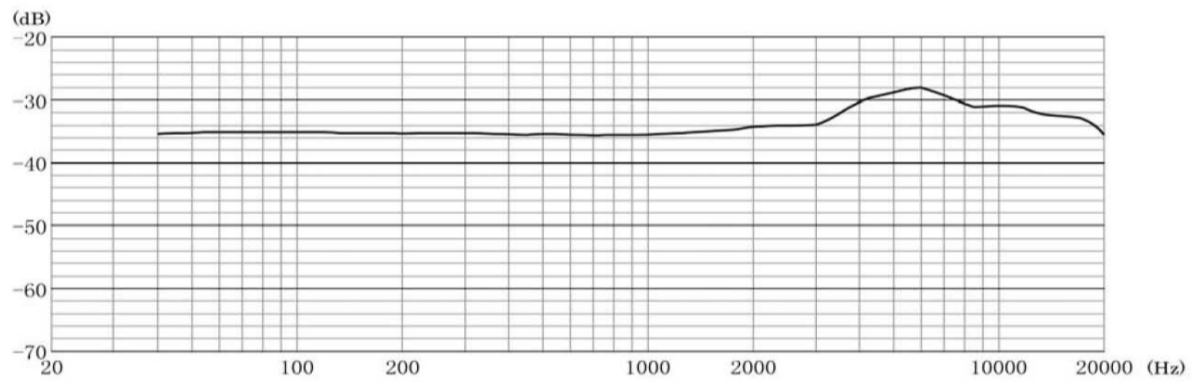
Directivity	Omni directional
Transducer	Self-polarized condenser
Frequency range	50Hz - 20kHz
Sensitivity (nominal at 1kHz)	17.8mV/Pa (-35dB,0dB=1V/Pa)
Equivalent noise level (A-weighted)	28dB-A
Max SPL (1% THD)	137dB SPL
Output impedance at 1kHz	180Ω
Powering	+48±4V phantom X 2ch
Current consumption	less than 2.2mA
Weight	20g (including cable) , 70g (48V I/F)
Dimensions	31.6mm X 4.0mm (diameter)
Surface finish	baked painting/gray
Connector	XLR-5M
Included Accessories	HC-22 holder clip

<Dimensions>

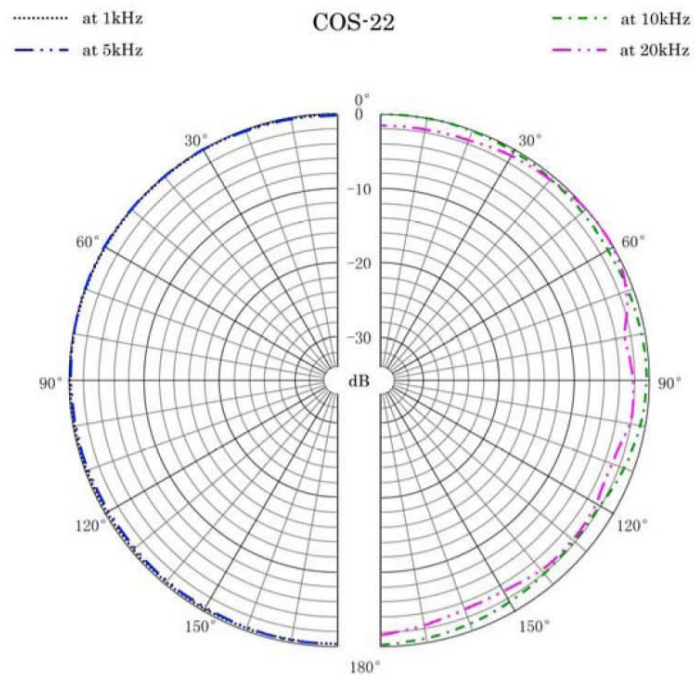


<Frequency Response>

COS-22



<Polar Pattern>



< Optional accessories >

HC-22  
Holder Clip



SC-532 / 0.3 , SC-532 / 1.8  
XLR-5F to two XLR-3M "Y" cable

SC-551 / 0.3 , SC-551 / 1.5  
XLR-5F to XLR-5M cable

Specifications are subject to change without notice

**SANKEN MICROPHONE CO., LTD.**

2-8-8 Ogikubo, Suginamiku, Tokyo 167-0051 Japan

Phone: +81 3 3392 6581 FAX: +81 3 3393 2055

[www.sanken-mic.com](http://www.sanken-mic.com)